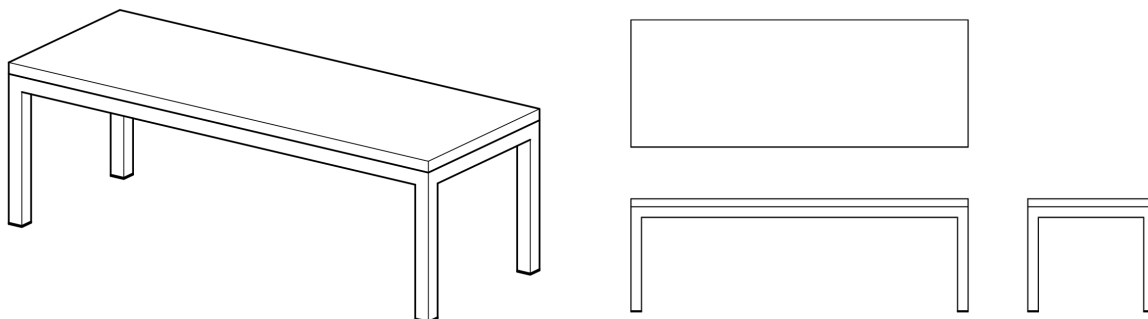


## BROOKS BENCHES



A simple "Parsons" type piece available in a range of sizes. As a part of the Brooks family, the Brooks Bench pairs well with any of our other tables or seating options. It also works on its own to create a comfortable and beautiful seating solution. Each bench is made to order in our San Francisco workshop. Custom sizes are also available upon request.



# BROOKS BENCHES



18"W x 48"L x 16"H  
\$629.00



18"W x 60"L x 16"H  
\$779.00

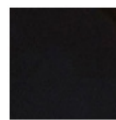


18"W x 72"L x 16"H  
\$929.00

## ADDITIONAL OPTIONS

Powder Coated Base  
\$100.00

## TOP FINISHES



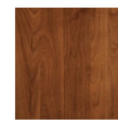
Carbon



Hickory



Maple



Walnut



White Oak

## BASE FINISHES



Gun Metal



Powdercoat\*

\*RAL colors used for powdercoating are available upon request.